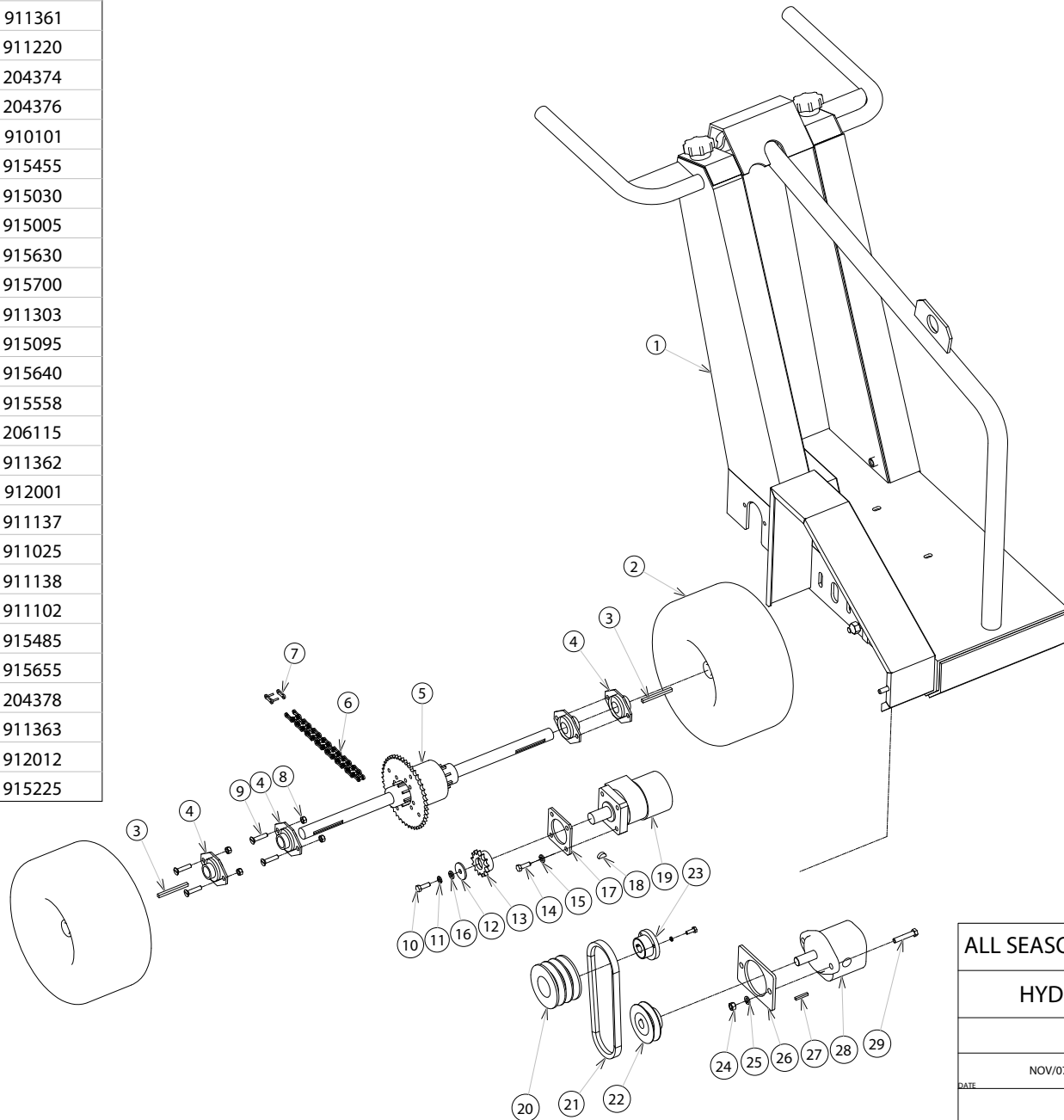


INDEX	NB.	DESIGNATION	REFERENCE
1	1	main frame	204368
2	2	drive wheels	910309
3	2	key	911361
4	4	flangette plate bearingsx	911220
5	1	differential	204374
6	1	drive chain	204376
7	1	chain link	910101
8	8	nylon lock nut	915455
9	8	carriage bolt	915030
10	1	bolt	915005
11	1	lockwasher	915630
12	1	fender washer	915700
13	1	chain sprocket	911303
14	4	bolt	915095
15	4	lockwasher	915640
16	1	Flatwasher	915558
17	1	spacer plate	206115
18	1	halfmoon key	911362
19	1	hydraulic drive motor	912001
20	1	pulley	911137
21	1	"V" belt	911025
22	1	pulley	911138
23	1	pulley bushing	911102
24	2	nut	915485
25	2	lockwasher	915655
26	1	spacer pump plate	204378
27	1	key	911363
28	1	hydraulic pump	912012
29	2	bolt	915225



ALL SEASONS EQUIPMENT	
HYDRA-CUTTER	
	TONY LEAL
	DRAW BY
NOV/07	HYDRO-CUTTER-PARTS2.DFT
DATE	DRAWN
DRIVE PARTS	