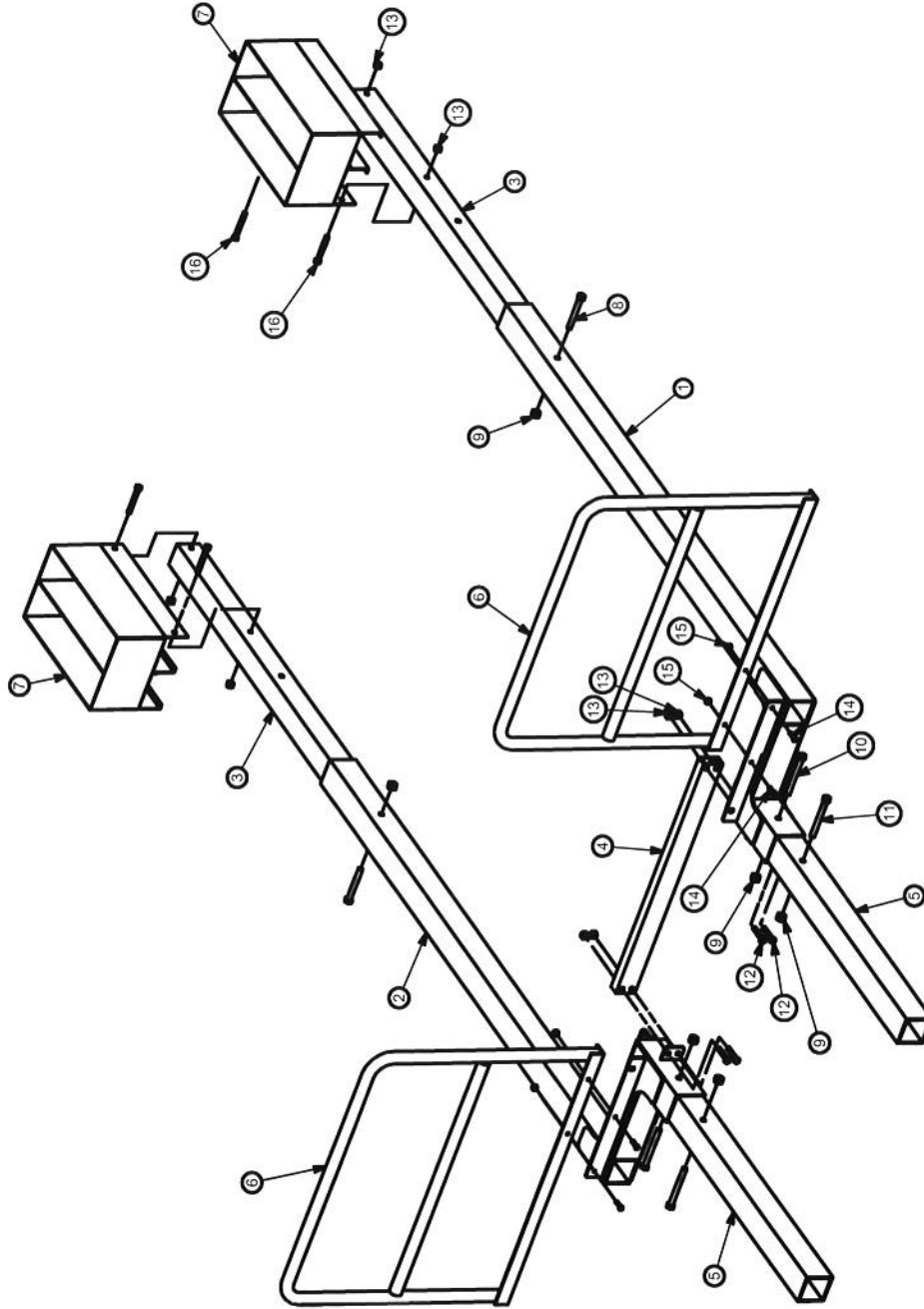


INDEX	NB	DESIGNATION	REFERENCE
1	1	left side main base frame	208601
2	1	right side main base frame	208602
3	2	telescopic counterweight frame tube	208604
4	1	separator tube	208603
5	2	telescopic hooper tube	208606
6	2	safety fence	208608
7	2	counterweight basket	208610
8	2	5/8" x 5" bolt	915315
9	6	5/8" nylon lock nut	915510
10	2	5/8" x 5 1/2" bolt	915316
11	2	5/8" x 6" bolt	915313
12	4	1/2" x 2 1/2" bolt	915235
13	8	1/2" nylon lock nut	915490
14	4	3/8" x 1 1/2" bolt	915115
15	4	3/8" nylon lock nut	915460
16	4	1/2" x 4 1/2" bolt	915256



ALL SEASONS EQUIPMENT	
CHUTE MAIN FRAME	
DESIGNED BY	TONY LEAL
DATE	MARCH/2017
TRASH CHUTE-FRAME-PARTS DFT	
DRAWN	
MAIN FRAME PARTS	