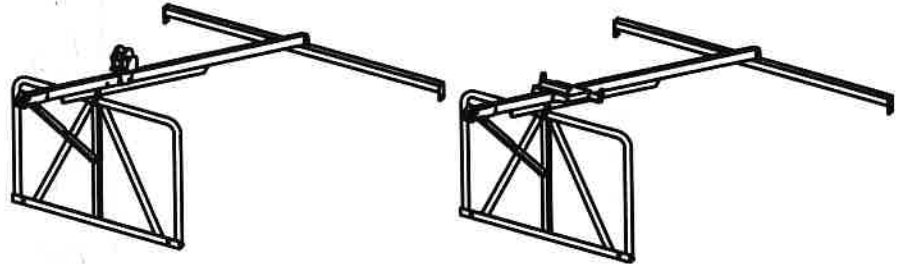


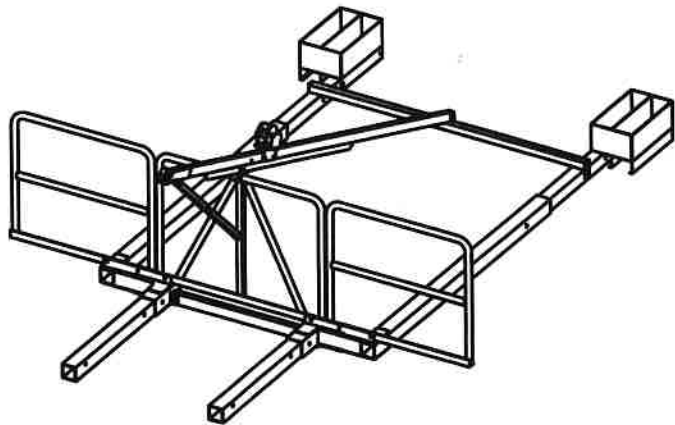
CHUTE-FRAME SYSTEM ONLY--#108000



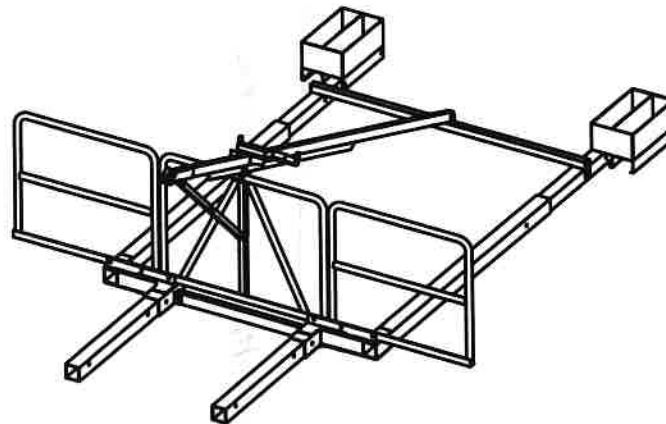
CHUTE-HOIST ONLY W/  
HAND WINCH -#108004

1450

CHUTE-HOIST ONLY C/W  
HYD. WINCH BASE ONLY-#108005



CHUTE-FRAME SYSTEM C/W HOIST  
AND HAND WINCH-#108002



CHUTE-FRAME SYSTEM C/W  
HOIST AND HYD. WINCH BASE ONLY-#108010



CHUTE- HOISTING BAR C/W  
SWIVEL HOOKS-#108630