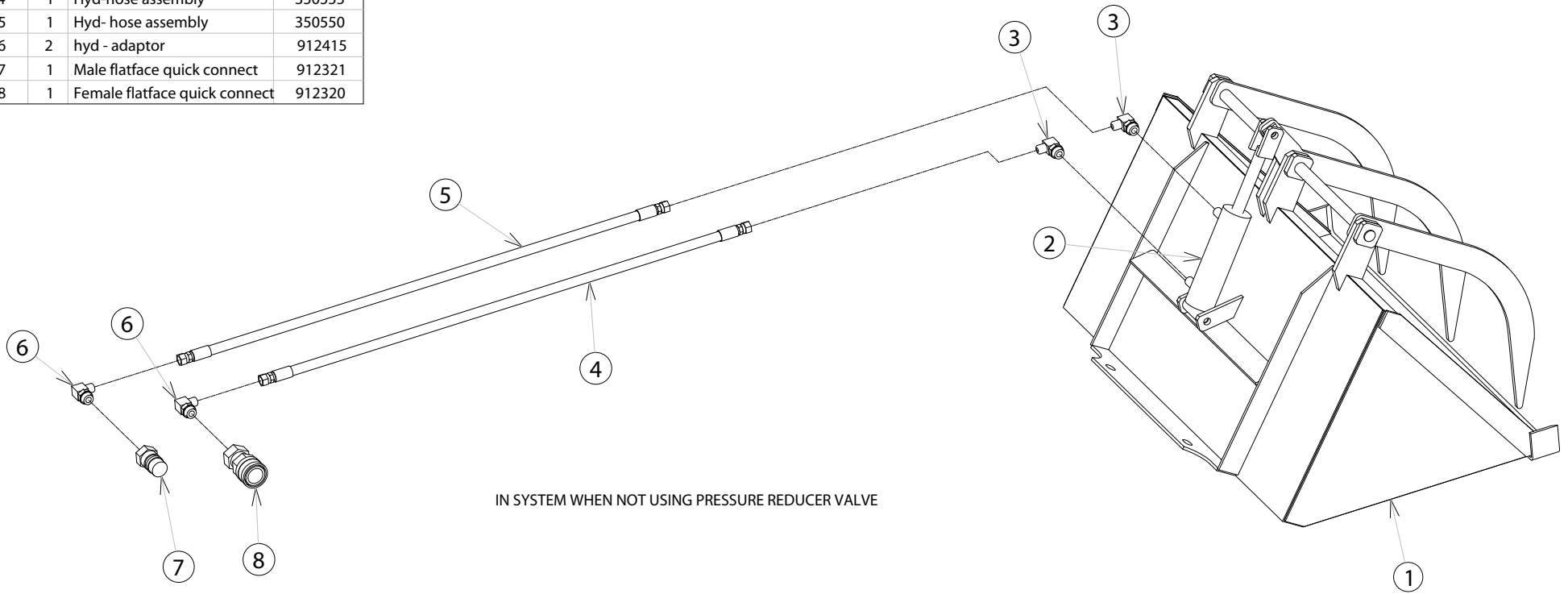


INDEX	NB.	DESIGNATION	REFERENCE
1	1	Bucket	350540
2	1	Hydraulic cylinder	350545
3	2	hyd- adaptor	912409
4	1	Hyd-hose assembly	350555
5	1	Hyd- hose assembly	350550
6	2	hyd- adaptor	912415
7	1	Male flatface quick connect	912321
8	1	Female flatface quick connect	912320



<b>ALL SEASONS EQUIPMENT</b>	
SS16-LANDSCAPE GRAPPLE BUCKET	
	TONY LEAL
	<small>DRW BY</small>
DEC/2002	<small>S16GRAP-LS-ON ARMS.DFT</small>
<small>DATE</small>	<small>DRW#</small>
GRAPPLE BUCKET HYDRAULICS	